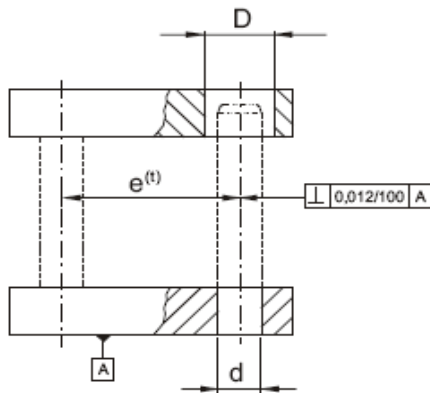
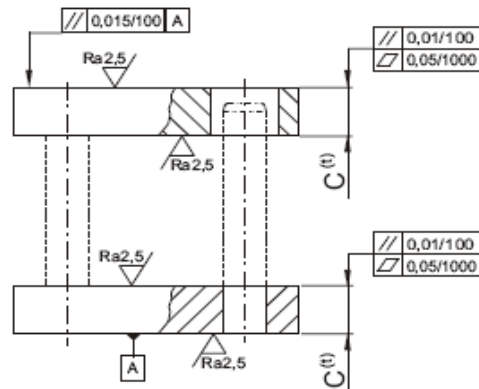


Toleranssit

version	C tolerances (t)
"T" - cheaper	+0,00 -2,00
"K" - expensive	+0,00 -0,10

Note:
Positional and geometrical tolerances are saved independently of the version.



1) D= H5

Applies to bushes - FT
FB, FG, FC, BPE

2) d= H5

Applies to pin - FK

3) d= R6

Applies to pin - FS

e	(t)
≤100	± 0,008
> 100 - 180	± 0,010
> 180 - 350	± 0,012
> 350 - 500	± 0,015
> 500 - 800	± 0,018
> 800	± 0,020