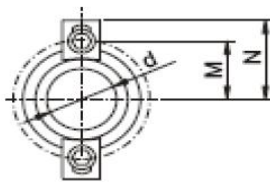
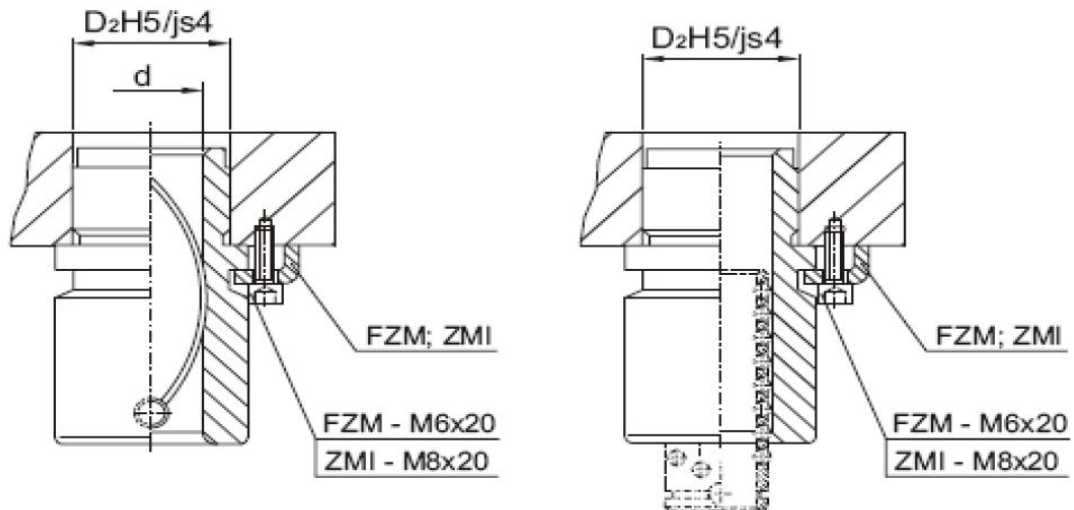
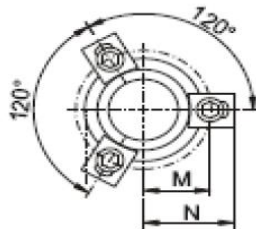


MOULDin Oy

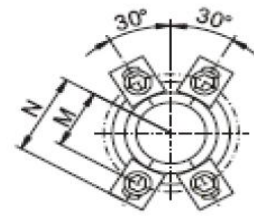
Tolerances and class of fit apply to ISO standard bushings (FB, FT, FG, FC)



d_{la}
for d ≤ 20



d_{la}
for 24 ≤ d ≤ 32



d_{la}
for d ≥ 38

D2	Dia d tolerances		d	FZM		ZMI	
	for hole H5	for pin js4		M	N	M	N
	32	+ 0,011 - 0,000		+ 0,0035 - 0,0035	20/19	26,0	34,5
40	25/24		30,0		38,5	31,0	40,0
48	32/30		33,5		42,0	35,0	44,0
58	+ 0,013 - 0,000	+ 0,004 - 0,004	40/38	38,5	47,0	40,0	49,0
70			50/48	45,5	54,0	47,0	56,0
85	+ 0,015 - 0,000	+ 0,005 - 0,005	63/60	53,0	61,5	54,5	63,5
105			80	64,5	73,0	66,0	75,0

MOULDin Oy